

REPAIR PARTS MANUAL
MODEL NO. MC14596 (96011008500)
Lawn Tractor

McCULLOCH^{PM}

HOW TO USE THIS MANUAL

This manual is designed to provide the customer with a means to identify the parts on his/her tractor when ordering repair parts. The illustrations may or may not represent the actual assemblies; therefore, it is not recommended to use this manual as a guide to assemble or disassemble the tractor. Some hardware and parts are drawn larger in order to more readily identify them.

Each tractor has its own model number.

The model number for your tractor can be found on the fender under the seat.

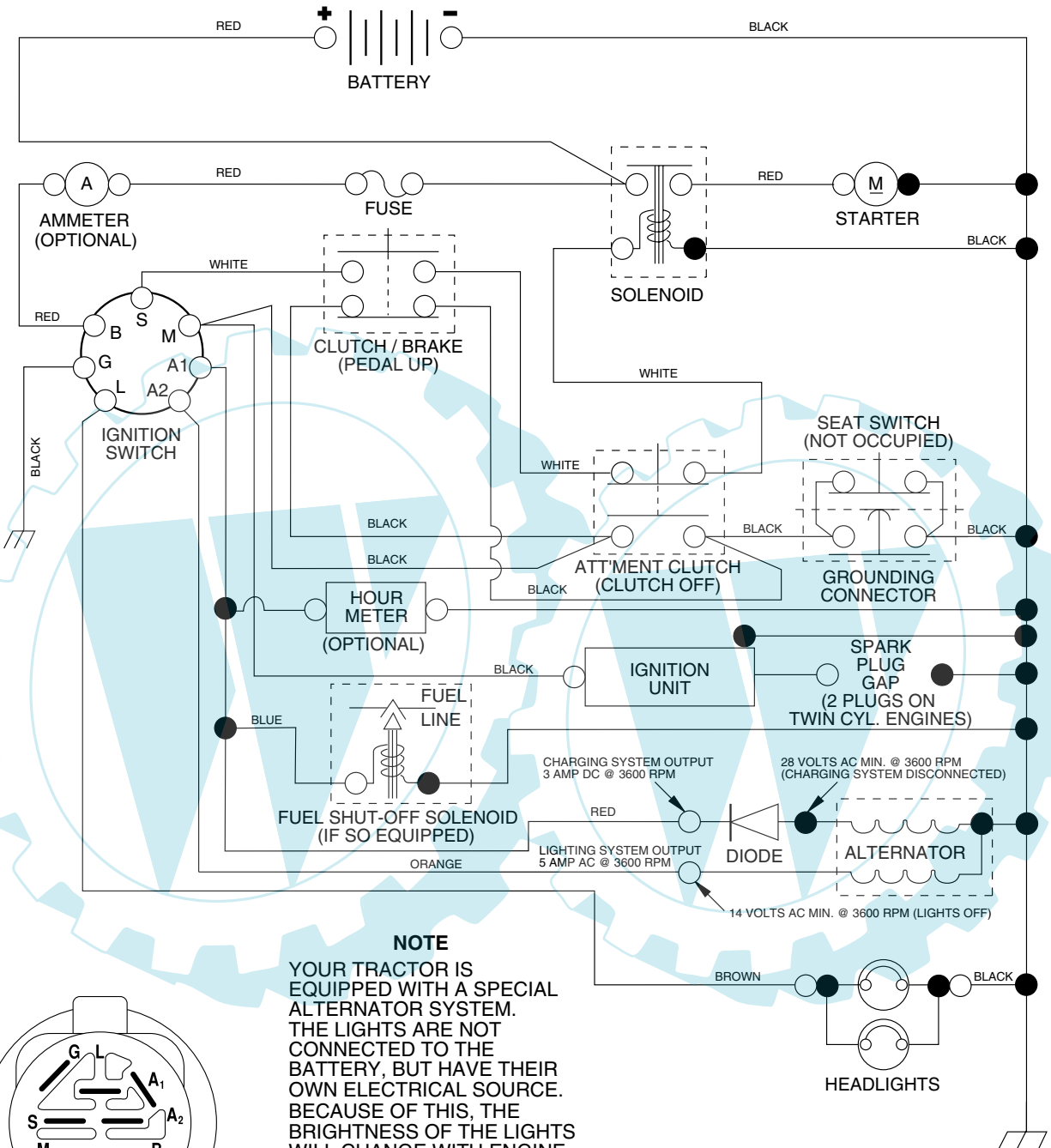
When ordering parts, always give the following information:

- Product - "Tractor"
- Model Number - MC14596 (96011008500)
- Part Number
- Part Description

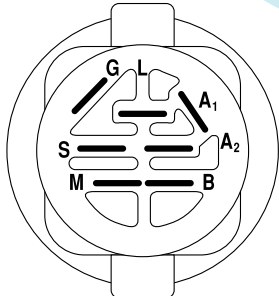
TABLE OF CONTENTS

| | |
|-------------------------|--------------|
| SCHEMATIC | 3 |
| ELECTRICAL | 4-5 |
| CHASSIS | 6-7 |
| DRIVE | 8-9 |
| STEERING | 10-11 |
| SEAT | 12 |
| DECALS | 13 |
| ENGINE | 14 |
| MOWER LIFT | 15 |
| MOWER DECK | 16-17 |
| WARRANTY | 20 |

**TRACTOR - MODEL NO. MC14596 (96011008500), PRODUCT NO. 960110085
SCHEMATIC**



NOTE
YOUR TRACTOR IS EQUIPPED WITH A SPECIAL ALTERNATOR SYSTEM. THE LIGHTS ARE NOT CONNECTED TO THE BATTERY, BUT HAVE THEIR OWN ELECTRICAL SOURCE. BECAUSE OF THIS, THE BRIGHTNESS OF THE LIGHTS WILL CHANGE WITH ENGINE SPEED. AT IDLE THE LIGHTS WILL DIM. AS THE ENGINE IS SPEEDED UP, THE LIGHTS WILL BECOME THEIR BRIGHTEST.



IGNITION SWITCH

| POSITION | CIRCUIT | "MAKE" |
|-----------|------------|--------|
| OFF | M+G+A1 | NONE |
| RUN/LIGHT | B+A1 | A2+L |
| RUN | B+A1 | NONE |
| START | B + S + A1 | NONE |

WIRING INSULATED CLIPS

NOTE: IF WIRING INSULATED CLIPS WERE REMOVED FOR SERVICING OF UNIT, THEY SHOULD BE REPLACED TO PROPERLY SECURE YOUR WIRING.

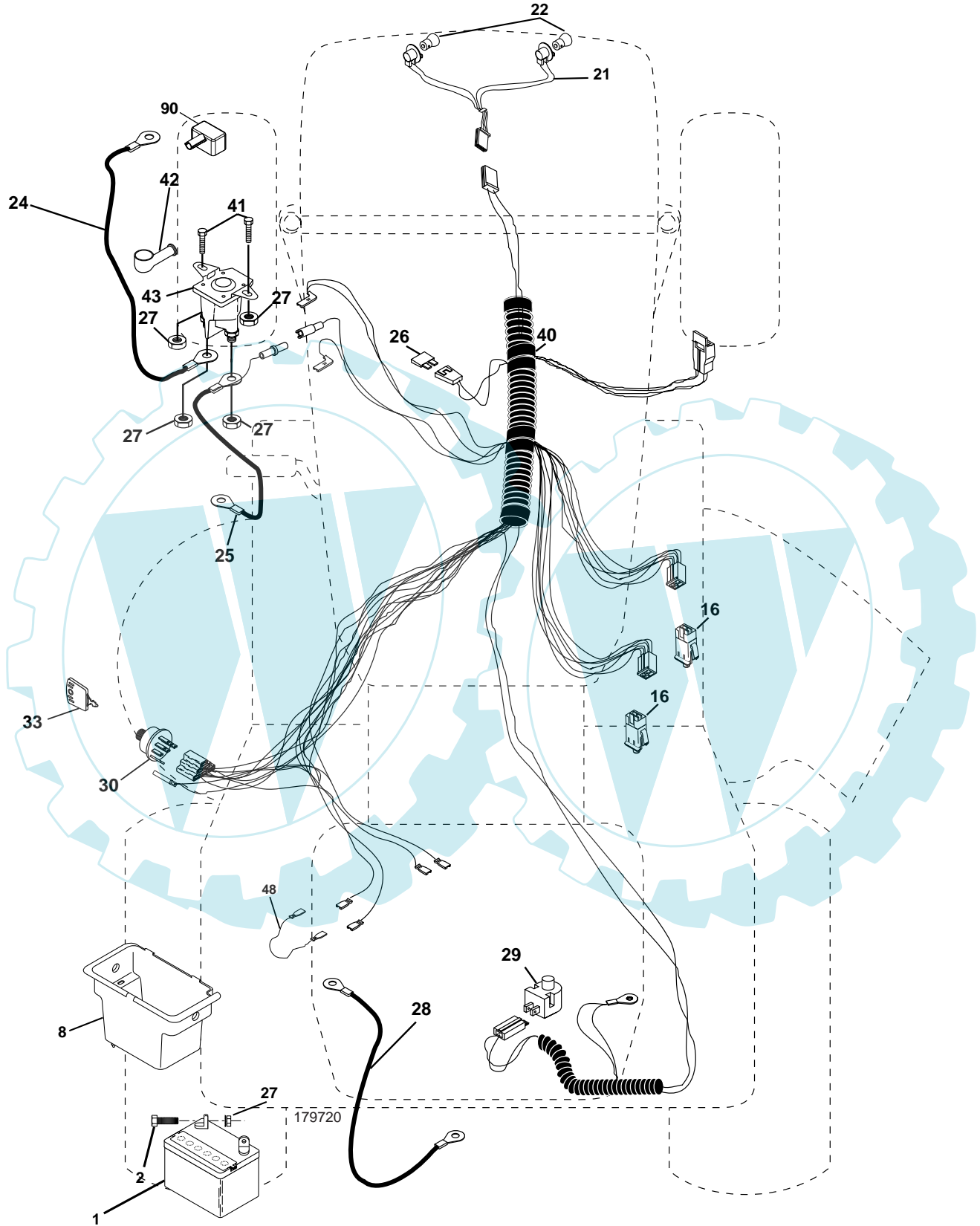
02363

NON-REMOVABLE CONNECTIONS

REMOVABLE CONNECTIONS

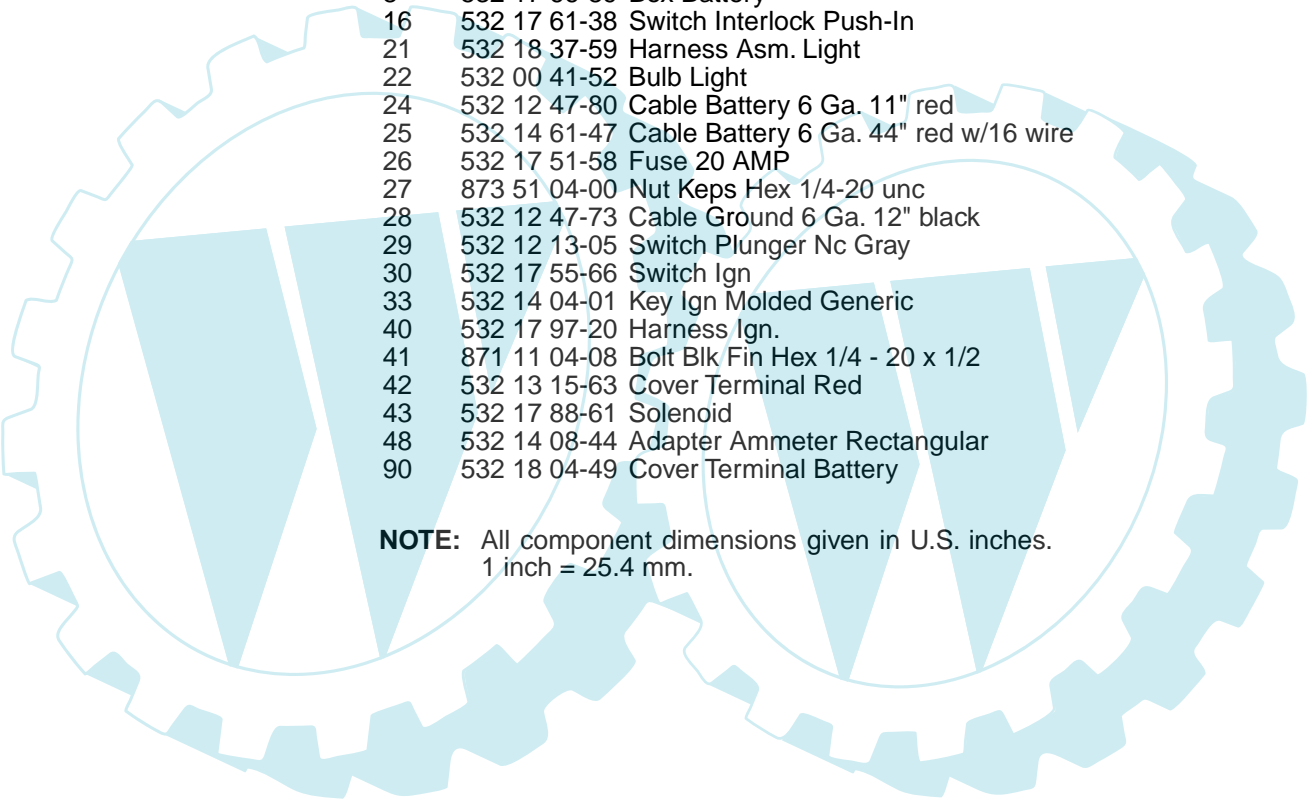
REPAIR PARTS

TRACTOR - MODEL NO. MC14596 (96011008500), PRODUCT NO. 960110085
ELECTRICAL



REPAIR PARTS

TRACTOR - MODEL NO. MC14596 (96011008500), PRODUCT NO. 960110085
ELECTRICAL

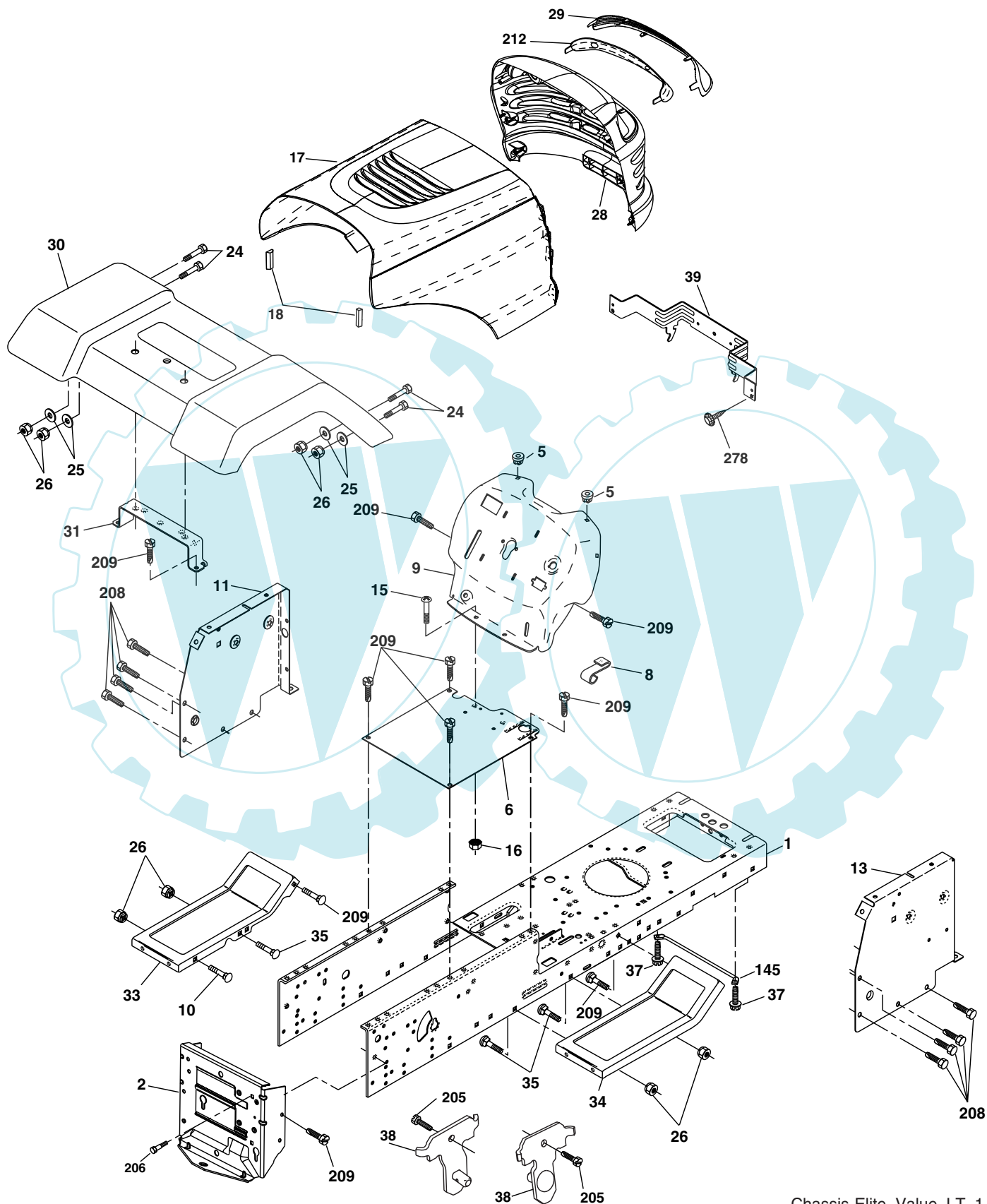


| KEY NO. | PART NO. | DESCRIPTION |
|---------|--------------|---------------------------------------|
| 1 | 532 16 34-65 | Battery 12 Volt 28 AMP |
| 2 | 874 76 04-12 | Bolt Hex Hd 1/4-20 unc x 3/4 |
| 8 | 532 17 66-89 | Box Battery |
| 16 | 532 17 61-38 | Switch Interlock Push-In |
| 21 | 532 18 37-59 | Harness Asm. Light |
| 22 | 532 00 41-52 | Bulb Light |
| 24 | 532 12 47-80 | Cable Battery 6 Ga. 11" red |
| 25 | 532 14 61-47 | Cable Battery 6 Ga. 44" red w/16 wire |
| 26 | 532 17 51-58 | Fuse 20 AMP |
| 27 | 873 51 04-00 | Nut Keps Hex 1/4-20 unc |
| 28 | 532 12 47-73 | Cable Ground 6 Ga. 12" black |
| 29 | 532 12 13-05 | Switch Plunger Nc Gray |
| 30 | 532 17 55-66 | Switch Ign |
| 33 | 532 14 04-01 | Key Ign Molded Generic |
| 40 | 532 17 97-20 | Harness Ign. |
| 41 | 871 11 04-08 | Bolt Blk Fin Hex 1/4 - 20 x 1/2 |
| 42 | 532 13 15-63 | Cover Terminal Red |
| 43 | 532 17 88-61 | Solenoid |
| 48 | 532 14 08-44 | Adapter Ammeter Rectangular |
| 90 | 532 18 04-49 | Cover Terminal Battery |

NOTE: All component dimensions given in U.S. inches.
1 inch = 25.4 mm.

REPAIR PARTS

TRACTOR - MODEL NO. MC14596 (96011008500), PRODUCT NO. 960110085
CHASSIS AND ENCLOSURES



Chassis-Elite_Value_LT_1

REPAIR PARTS

TRACTOR - MODEL NO. MC14596 (96011008500), PRODUCT NO. 960110085
CHASSIS AND ENCLOSURES

| KEY NO. | PART NO. | DESCRIPTION |
|---------|--------------|--|
| 1 | 532 17 46-20 | Chassis Stamping |
| 2 | 532 17 65-54 | Drawbar |
| 5 | 532 15 52-72 | Bumper Hood/Dash |
| 6 | 532 18 25-59 | Saddle |
| 8 | 532 12 64-71 | Clip Insulator |
| 9 | 532 19 46-88 | Dash P/L |
| 10 | 872 14 06-08 | Bolt Carriage 3/8-16 x 1 |
| 11 | 532 17 49-96 | Panel Dash Lh |
| 13 | 532 18 69-52 | Panel Dash Rh |
| 15 | 874 18 05-12 | Screw Mach Trhd 5/16-18 unc x 3/4 |
| 16 | 873 51 05-00 | Nut Keps 5/16-18 unc |
| 17 | 532 18 65-80 | Hood LT/PL |
| 18 | 532 18 49-21 | Bumper Hood |
| 24 | 874 78 06-16 | Bolt Fin Hex 3/8-16 unc x 1 Gr. 5 |
| 25 | 819 13 13-12 | Washer 13/32 x 13/16 x 12 Ga. |
| 26 | 873 80 06-00 | Nut Lock Hex W/Ins 3/8-16 unc |
| 28 | 532 18 35-52 | Grille/Lens Asm. (Includes #'s 29 and 212) |
| 29 | 532 18 58-46 | Lens LT/PL |
| 30 | 532 19 10-03 | Fender |
| 31 | 532 13 66-19 | Bracket Support Fender |
| 33 | 532 18 25-07 | Footrest LH |
| 34 | 532 18 25-08 | Footrest RH |
| 35 | 872 11 06-06 | Bolt Rdhd 3/8-16 x 3/4 |
| 37 | 817 49 05-08 | Screw Thdrol 6/16-18 x 1/2 TYT |
| 38 | 532 17 57-10 | Bracket, Asm. Pivot, Mower Rear |
| 39 | 532 17 47-14 | Bracket Pivot |
| 145 | 532 15 65-24 | Rod Pivot Chassis/Hood |
| 205 | 817 49 06-08 | Screw Thdrol 3/8-16 x 1/2 |
| 206 | 532 17 01-65 | Bolt Shoulder 5/16-18 TT |
| 208 | 817 67 06-08 | Screw Thdrol 3/8-16 x 1/2 |
| 209 | 817 00 06-12 | Screw Hexwsh Thdr 3/8-16 x 3/4 |
| 212 | 532 18 35-50 | Insert Lens Reflect |
| 278 | 532 19 16-11 | Screw 10 x 3/4 Single Lead Hex |
| -- | 532 00 54-79 | Plug Button |
| -- | 532 19 39-35 | Plug Switch Light |

NOTE: All component dimensions given in U.S. inches
1 inch = 25.4 mm

REPAIR PARTS

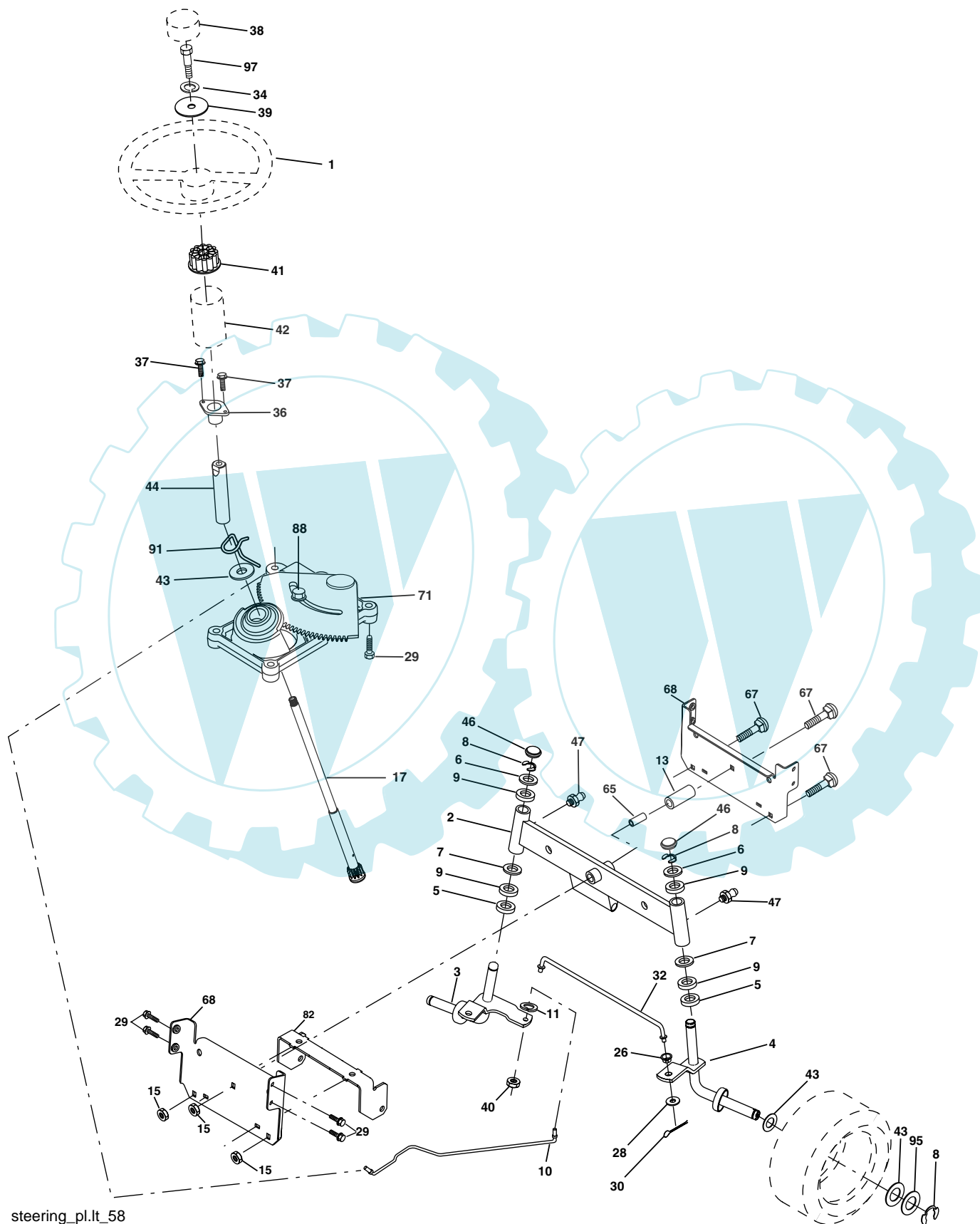
**TRACTOR - MODEL NO. MC14596 (96011008500), PRODUCT NO. 960110085
DRIVE**

| KEY PART NO. NO. | DESCRIPTION | KEY PART NO. NO. | DESCRIPTION |
|------------------|---|------------------|---|
| 1 | ----- Transaxle, Peerless 206-545C (Order Parts From Transaxle Manufacturer) | 49 | 532 12 32-05 Retainer Belt Style Spring |
| 2 | 532 14 66-82 Spring Return Brake T/a Zinc | 50 | 872 11 06-12 Bolt Carr Sh 3/8-16 unc x 1-1/2 Gr.5 |
| 3 | 532 12 36-66 Pulley Transaxle 18" tires | 51 | 873 68 06-00 Nut Crownlock 3/8-16 unc |
| 4 | 812 00 00-28 Ring Retainer # 5100-62 | 52 | 873 68 05-00 Nut Crownlock 5/16-18 unc |
| 5 | 532 12 15-20 Strap Torque 30 Degrees | 53 | 532 10 57-10 Link Clutch |
| 6 | 817 00 05-12 Screw 5/16-18 x 3/4 | 55 | 532 10 57-09 Spring Return Clutch 6 75 |
| 7 | 532 16 22-40 Plate Bracket Shift Saddle | 56 | 817 06 06-20 Screw 3/8-16 x 1-1/4 |
| 8 | 532 13 16-79 Rod Shift Saddle | 57 | 532 13 08-01 V-Belt Ground Drive 95 25 |
| 10 | 876 02 04-16 Pin Cotter 1/8 x 1 Cad | 59 | 532 16 96-91 Keeper Belt Span Ctr |
| 11 | 532 10 57-01 Washer Plate Shf 388 Sq Hole | 61 | 817 12 06-14 Screw 3/8-16 x .875 |
| 12 | 819 15 12-16 Washer 15/32 x 3/4 x 16 Ga. | 62 | 532 12 48-72 Cover Pedal |
| 13 | 874 55 04-12 Bolt 1/4-28 Unf Gr. 8 W/Patch | 63 | 532 18 02-19 Engine Pulley LT/YT |
| 14 | 810 04 04-00 Washer Lock Hvy Helical 1/4 | 64 | 532 17 39-37 Bolt Hex 7/16-20 x 4 x Gr. 5 - 1Hr |
| 15 | 874 49 05-44 Bolt Hex Flg Hd 5/16-18 Gr. 5 | 65 | 810 04 07-00 Washer Lock Hvy Hlcl Spr 7/16 |
| 16 | 873 80 05-00 Nut lock Hx W/Ins 5/16-18 unc | 66 | 532 15 47-78 Keeper Belt Engine Foolproof |
| 18 | 874 78 06-16 Bolt, Fin Hex 3/8-16 unc x 1 Gr. 5 | 70 | 532 18 02-18 Guide Belt Mower Drive RH |
| 19 | 873 80 06-00 Nut Lock 3/8-16 Unc | 74 | 532 13 70-57 Spacer Axle |
| 21 | 532 10 69-33 Knob | 75 | 532 12 17-49 Washer 25/32 x 1 1/4 x 16 Ga. |
| 22 | 532 13 08-04 Rod Brake Blk Zinc 26 840 | 76 | 812 00 00-01 E-ring #5133-75 |
| 24 | 873 35 06-00 Nut Hex Jam 3/8-16 unc | 77 | 532 12 35-83 Key Square 2 0 x 1845/ 1865 |
| 25 | 532 10 68-88 Spring Rod Brake 2 00 Zinc | 78 | 532 12 17-48 Washer 25/32 x 1-5/8 x 16 Ga. |
| 26 | 819 13 13-16 Washer 13/32 x 13/16 x 16 Ga. | 79 | 532 12 50-96 Key Woodruff #9 3/16 x 3/4 |
| 27 | 876 02 04-12 Pin Cotter 1/8 x 3/4 Cad | 96 | 532 12 47-88 Retainer Spring 1" |
| 28 | 532 17 57-65 Rod Brake Parking LT/YT | 112 | 819 09 12-10 Washer 9/32 x 3/4 x 10 Ga. |
| 29 | 532 07 16-73 Cap Brake Parking Black | 113 | 532 12 72-85 Strap Torque LT |
| 30 | 532 17 49-73 Bracket Mtg Transaxle | 116 | 872 14 06-08 Bolt Rdhd Sq Neck 3/8-16 x 1 |
| 32 | 874 76 05-12 Bolt Hex Hd 5/16-18 unc x 3/4 | 120 | 873 90 06-00 Nut Lock Flg. 3/8-16 |
| 34 | 532 17 55-78 Shaft Asm Pedal Foot | 150 | 532 17 54-56 Spacer Retainer |
| 35 | 532 12 01-83 Bearing Nylon Blk 629 Id | 151 | 819 13 32-10 Washer 13/32 x 2 x 10 Ga. |
| 36 | 819 21 16-16 Washer 21/32 x 1 x 16 Ga. | 170 | 532 18 74-14 Keeper Belt T/A |
| 37 | 532 12 49-63 Pin Roll 3/16 x 1" | 202 | 872 11 06-14 Bolt RDHD 3/8-16 x 1-3/4 Gr. 5 |
| 38 | 532 17 91-14 Pulley Composite | 212 | 532 14 52-12 Nut Hex Flg Lock |
| 39 | 872 11 06-22 Bolt RDHD 3/8-16 unc x 2-3/4 Gr. 5 | 263 | 817 00 06-12 Screw Hexwsh Thdr 3/8-16 x 3/4 |
| 41 | 532 17 55-56 Keeper Belt Idler Flat | 268 | 532 18 24-02 Guard Muffler OHV B&S RH |
| 47 | 532 12 77-83 Pulley Idler V Groove Plastic | 275 | 819 13 16-14 Washer 13/32 x 1 x 14 Ga. |
| 48 | 532 15 44-07 Bellcrank Clutch Grnd Drv Stl | | |

NOTE: All component dimensions given in U.S. inches
1 inch = 25.4 mm

REPAIR PARTS

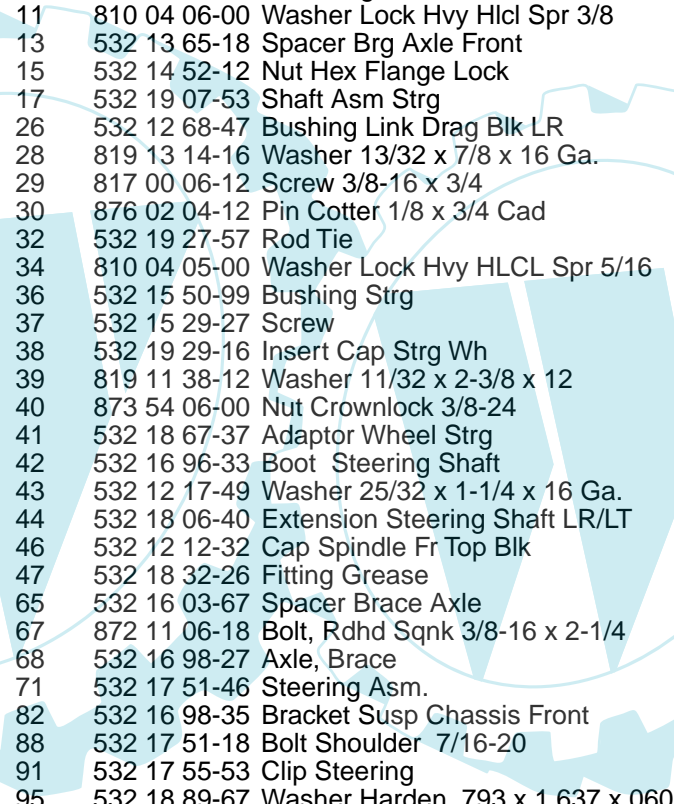
TRACTOR - MODEL NO. MC14596 (96011008500), PRODUCT NO. 960110085
STEERING ASSEMBLY



steering_pl.lt_58

REPAIR PARTS

TRACTOR - MODEL NO. MC14596 (96011008500), PRODUCT NO. 960110085
STEERING ASSEMBLY

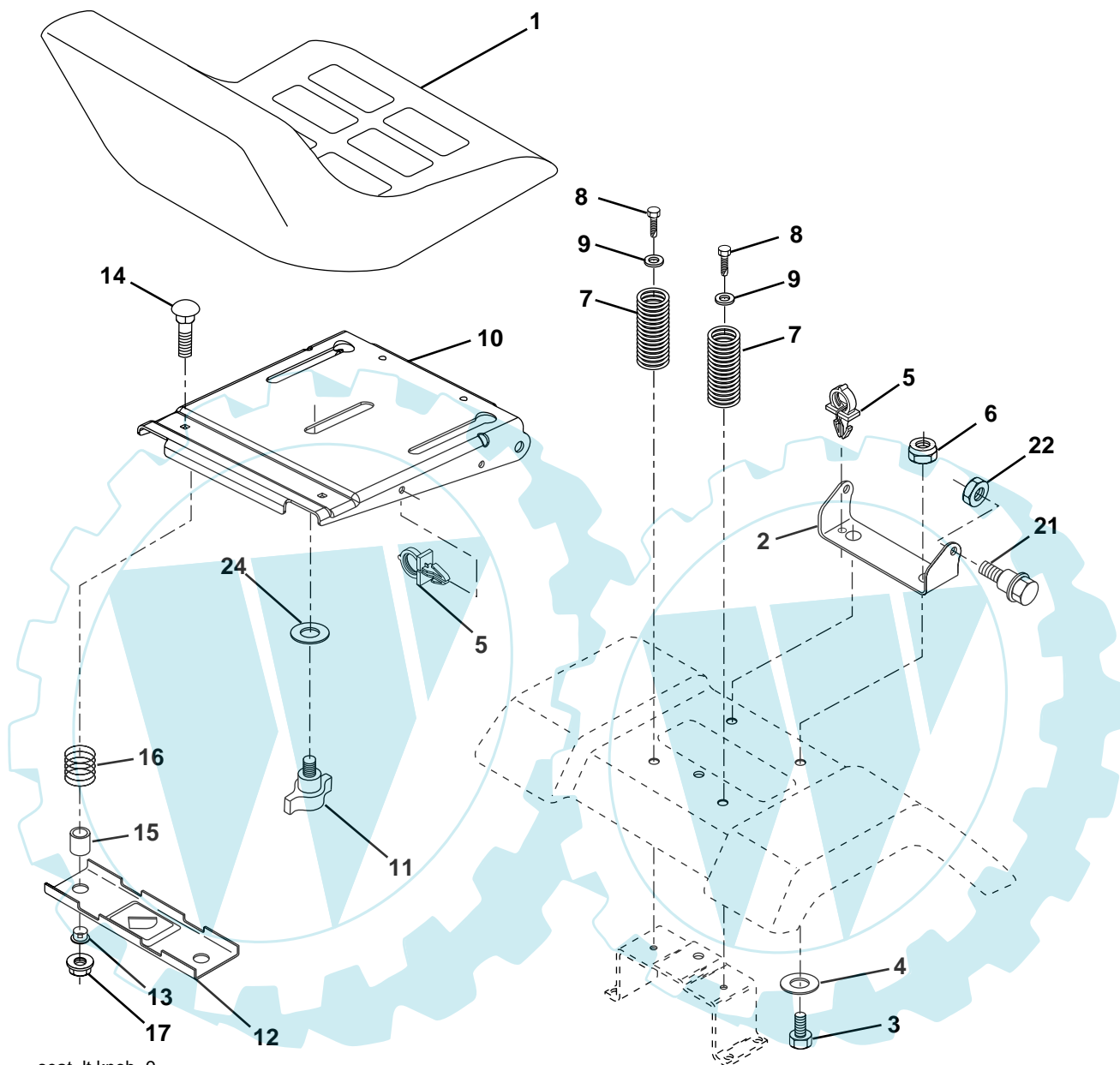


| KEY NO. | PART NO. | DESCRIPTION |
|---------|--------------|----------------------------------|
| 1 | 532 18 67-80 | Wheel Steering |
| 2 | 532 17 51-31 | Axle Asm |
| 3 | 532 16 98-40 | Spindle Asm LH |
| 4 | 532 16 98-39 | Spindle Asm RH |
| 5 | 532 12 49-31 | Bearing Race Thrust Harden |
| 6 | 532 12 17-48 | Washer 25/32 x 1-5/8 x 16 Ga. |
| 7 | 819 27 20-16 | Washer 27/32 x 1-1/4 x 16 Ga. |
| 8 | 812 00 00-29 | Ring Klip #t5304-75 |
| 9 | 532 12 49-37 | Bearing Col Strg Blk |
| 10 | 532 17 51-21 | Link Drag |
| 11 | 810 04 06-00 | Washer Lock Hvy Hlcl Spr 3/8 |
| 13 | 532 13 65-18 | Spacer Brg Axle Front |
| 15 | 532 14 52-12 | Nut Hex Flange Lock |
| 17 | 532 19 07-53 | Shaft Asm Strg |
| 26 | 532 12 68-47 | Bushing Link Drag Blk LR |
| 28 | 819 13 14-16 | Washer 13/32 x 7/8 x 16 Ga. |
| 29 | 817 00 06-12 | Screw 3/8-16 x 3/4 |
| 30 | 876 02 04-12 | Pin Cotter 1/8 x 3/4 Cad |
| 32 | 532 19 27-57 | Rod Tie |
| 34 | 810 04 05-00 | Washer Lock Hvy HLCL Spr 5/16 |
| 36 | 532 15 50-99 | Bushing Strg |
| 37 | 532 15 29-27 | Screw |
| 38 | 532 19 29-16 | Insert Cap Strg Wh |
| 39 | 819 11 38-12 | Washer 11/32 x 2-3/8 x 12 |
| 40 | 873 54 06-00 | Nut Crownlock 3/8-24 |
| 41 | 532 18 67-37 | Adaptor Wheel Strg |
| 42 | 532 16 96-33 | Boot Steering Shaft |
| 43 | 532 12 17-49 | Washer 25/32 x 1-1/4 x 16 Ga. |
| 44 | 532 18 06-40 | Extension Steering Shaft LR/LT |
| 46 | 532 12 12-32 | Cap Spindle Fr Top Blk |
| 47 | 532 18 32-26 | Fitting Grease |
| 65 | 532 16 03-67 | Spacer Brace Axle |
| 67 | 872 11 06-18 | Bolt, Rdhd Sqnk 3/8-16 x 2-1/4 |
| 68 | 532 16 98-27 | Axle, Brace |
| 71 | 532 17 51-46 | Steering Asm. |
| 82 | 532 16 98-35 | Bracket Susp Chassis Front |
| 88 | 532 17 51-18 | Bolt Shoulder 7/16-20 |
| 91 | 532 17 55-53 | Clip Steering |
| 95 | 532 18 89-67 | Washer Harden .793 x 1.637 x 060 |
| 97 | 874 78 05-64 | Bolt 5/16-18 UNC x 4"L Gr. 5 |

NOTE: All component dimensions given in U.S. inches.
1 inch = 25.4 mm.

REPAIR PARTS

TRACTOR - MODEL NO. MC14596 (96011008500), PRODUCT NO. 960110085
SEAT ASSEMBLY



seat_lt.knob_9

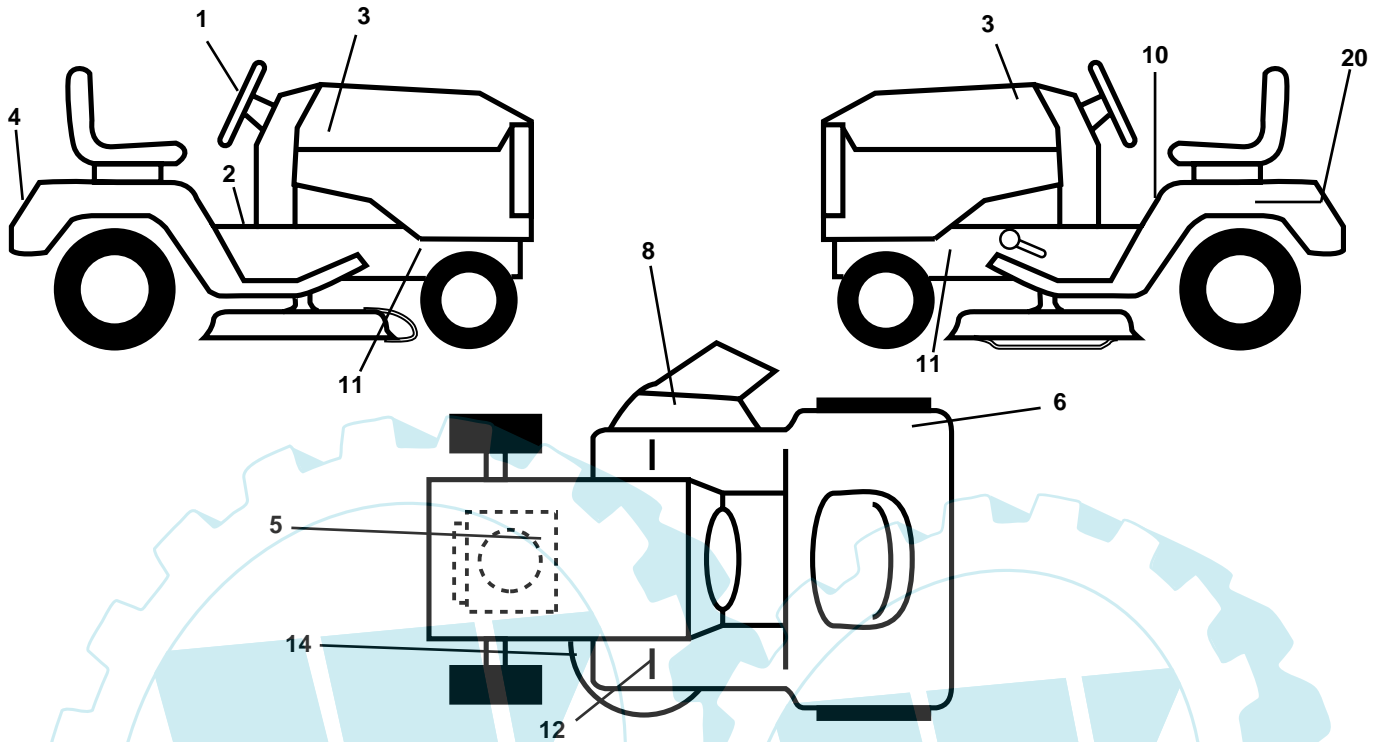
| KEY NO. | PART NO. | DESCRIPTION |
|---------|--------------|--------------------------------|
| 1 | 532 18 87-04 | Seat |
| 2 | 532 18 01-66 | Bracket Pivot Seat 8 720 |
| 3 | 871 11 06-16 | Bolt Fin Hex 3/8-16 unc x 1 |
| 4 | 819 13 16-10 | Washer 13/32 x 1 x 10 Ga |
| 5 | 532 14 50-06 | Clip Push-In |
| 6 | 873 80 06-00 | Nut Hex w/Ins. 3/8-16 unc |
| 7 | 532 12 41-81 | Spring Seat Cprsn 2 250 Blk Zi |
| 8 | 817 00 06-16 | Screw 3/8-16 x 1-1/2 |
| 9 | 819 13 16-14 | Washer 13/32 x 1 x 14 Ga. |
| 10 | 532 18 01-86 | Pan Seat |
| 11 | 532 16 63-69 | Knob Seat |
| 12 | 532 12 12-46 | Bracket Mounting Switch |

| KEY NO. | PART NO. | DESCRIPTION |
|---------|--------------|---------------------------------|
| 13 | 532 12 12-48 | Bushing Snap Blk Nyl 50 Id |
| 14 | 872 05 04-12 | Bolt Rdhd Sqnk 1/4-20 x 1-1/2 |
| 15 | 532 13 43-00 | Spacer Split 28 x 96 Yel Zinc |
| 16 | 532 12 12-50 | Spring Cprsn 1 27 Blk Pnt |
| 17 | 532 12 39-76 | Nut Lock 1/4 Lge Flg Gr. 5 Zinc |
| 21 | 532 17 18-52 | Bolt Shoulder 5/16-18 unc |
| 22 | 873 80 05-00 | Nut Hex Lock W/Ins 5/16-18 |
| 24 | 819 17 19-12 | Washer 17/32 x 1-3/16 x 12 Ga. |

NOTE: All component dimensions given in U.S. inches.
1 inch = 25.4 mm

REPAIR PARTS

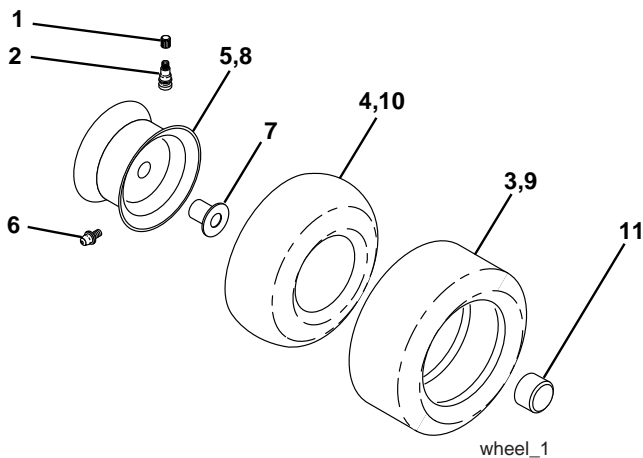
TRACTOR - MODEL NO. MC14596 (96011008500), PRODUCT NO. 960110085
DECALS



| KEY NO. | PART NO. | DESCRIPTION |
|---------|--------------|---------------------------------|
| 1 | 532 18 96-99 | Decal Steering Wheel |
| 2 | 532 14 08-37 | Decal Saddle Brake Parking |
| 3 | 532 18 96-91 | Decal Hood |
| 4 | 532 18 95-74 | Decal Fender |
| 5 | 532 18 47-67 | Decal HP Engine |
| 6 | 532 18 04-32 | Decal Europe Stand CE |
| 8 | 532 18 21-66 | Decal Mower Cutfinger |
| 10 | 532 14 54-98 | Decal Read Owner's Manual Syms. |
| 11 | 532 15 97-36 | Decal Chassis Hot Muffler |

| KEY NO. | PART NO. | DESCRIPTION |
|---------|--------------|---------------------------------|
| 12 | 532 15 97-37 | Decal Brake/ Clutch Symbol Lt |
| 14 | 532 13 68-32 | Decal V-Belt Schematic |
| 20 | 532 14 50-05 | Decal Bat Dan/Psn |
| -- | 532 16 25-98 | Decal Drawbar |
| -- | 532 13 83-11 | Decal Handle Lift Height Adjust |
| -- | 532 19 41-00 | Manual Operator's (Euro.) |
| -- | 532 19 41-01 | Manual Operator's (Scand) |
| -- | 532 19 44-97 | Manual Operator's (E-Bloc) |
| -- | 532 19 66-79 | Manual Parts |

WHEELS & TIRES

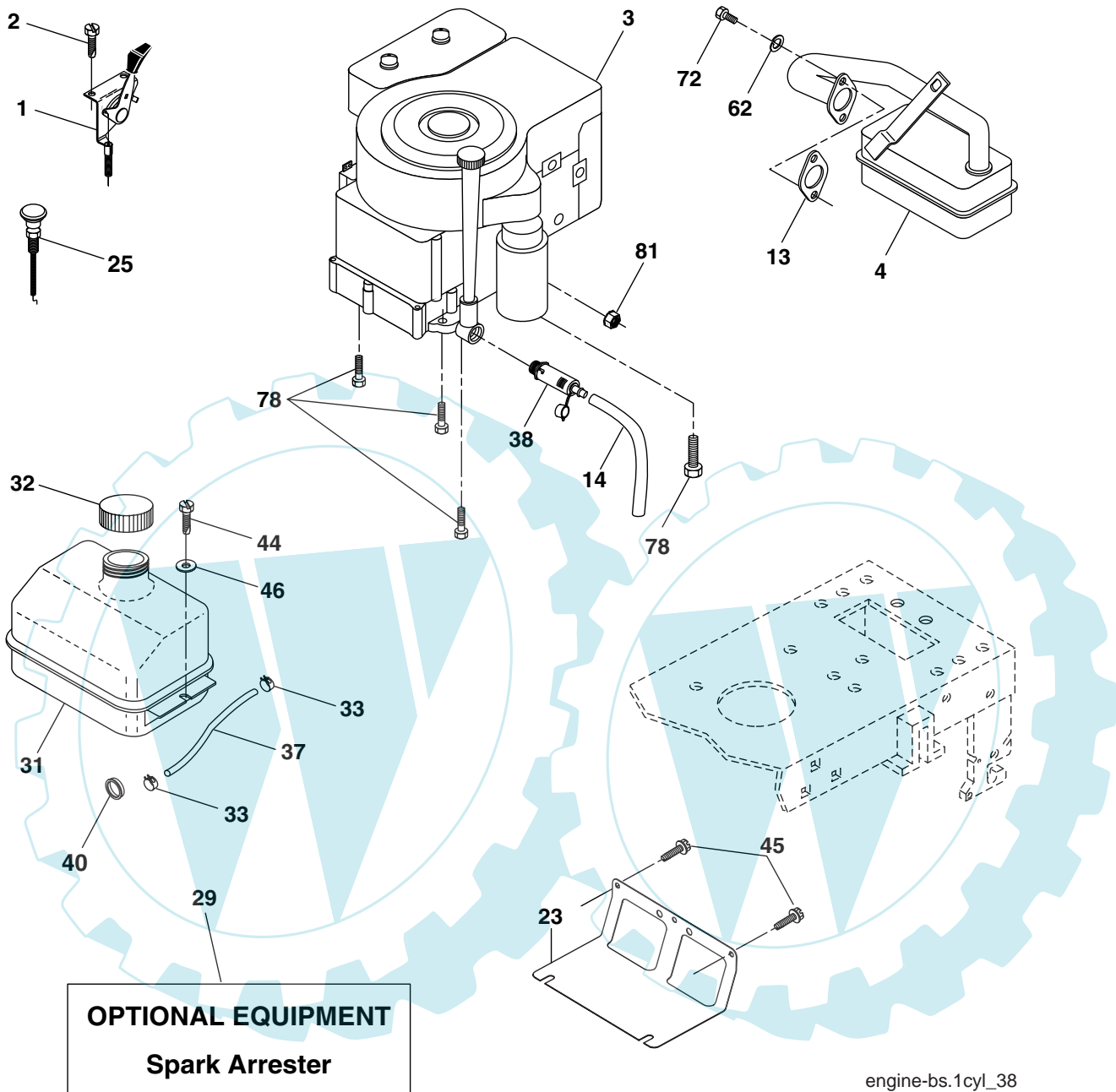


| KEY NO. | PART NO. | DESCRIPTION |
|---------|--------------|-----------------------------------|
| 1 | 532 05 91-92 | Cap Valve Tire |
| 2 | 532 06 51-39 | Stem Valve |
| 3 | 532 10 62-22 | Tire F Ts 15 x 6 0 - 6 Service |
| 4 | 532 05 99-04 | Tube Front (Service Item Only) |
| 5 | 532 18 33-37 | Rim Asm 6" front White Service |
| 6 | 532 12 49-57 | Fitting Grease (Front Wheel Only) |
| 7 | 532 12 49-59 | Bearing Flange (Front Wheel Only) |
| 8 | 532 18 33-38 | Rim Asm 8" rear White Service |
| 9 | 532 10 62-68 | Tire R Ts 18 x 9.5-8 C. Service |
| 10 | 532 12 49-26 | Tube Rear (Service Item Only) |
| 11 | 532 17 50-39 | Cap Axle Blk 1 50 x 1 00 |
| -- | 532 14 43-34 | Sealant, Tire (10 oz. Tube) |

NOTE: All component dimensions given in U.S. inches
1 inch = 25.4 mm

REPAIR PARTS

TRACTOR - MODEL NO. MC14596 (96011008500), PRODUCT NO. 960110085
ENGINE



engine-bs.1cyl_38

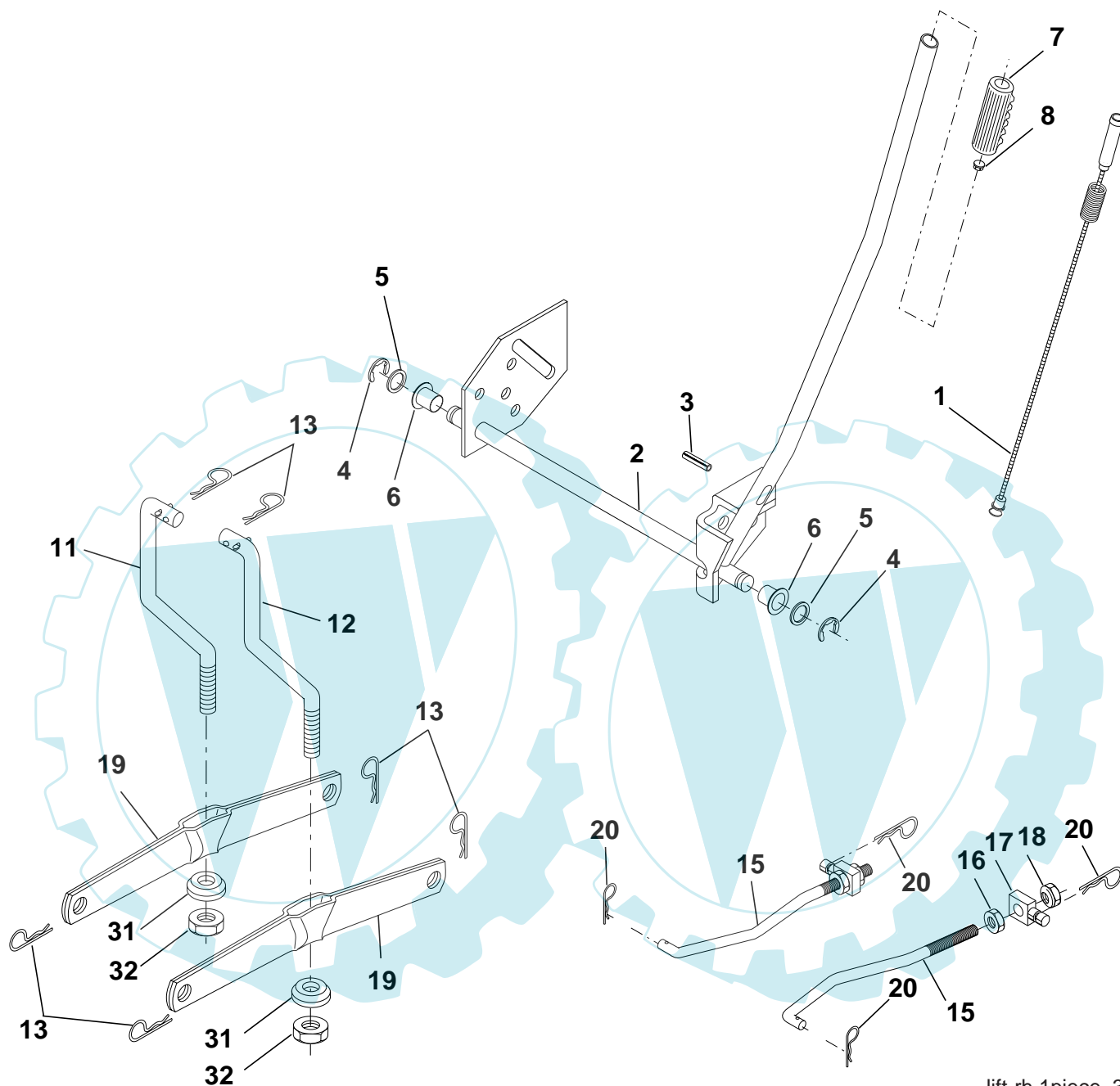
| KEY NO. | PART NO. | DESCRIPTION |
|---------|--------------|---|
| 1 | 532 17 05-51 | Control Th/ch Flag |
| 2 | 817 72 04-08 | Screw Hex Thd Cut 1/4-20 x 1/2 |
| 3 | ----- | Engine B&S Model No. 282H07 (Order Parts From Engine Manufacturer) |
| 4 | 532 13 73-52 | Muffler |
| 13 | 532 16 52-91 | Gasket Eng 1 313 Id Tin Plated |
| 14 | 532 14 84-56 | Tube Drain Oil Easy |
| 23 | 532 16 98-37 | Shield Brn/Dbr Guard |
| 25 | 532 19 06-95 | Control Choke |
| 29 | 532 13 71-80 | Kit Spark Arrestor (Flat Scrn) |
| 31 | 532 18 77-50 | Tank Fuel Front |
| 32 | 532 14 05-27 | Cap Asm Fuel W/sym Vented |
| 33 | 532 12 34-87 | Clamp Hose Black |

| KEY NO. | PART NO. | DESCRIPTION |
|---------|--------------|-----------------------------------|
| 37 | 532 13 70-40 | Line Fuel 20" |
| 38 | 532 18 16-54 | Plug Drain Oil Easy |
| 40 | 532 12 40-28 | Bushing Snap Nyl Blk Fuel Line |
| 44 | 817 67 04-12 | Screw Hexwsh Thdrol 1/4-20 x 3/4 |
| 45 | 817 00 06-12 | Screw Hex Wsh Thdrol 3/8-16 x 3/4 |
| 46 | 819 09 14-16 | Washer 9/32 x 7/8 x 16 Ga. |
| 62 | 810 01 05-00 | Washer Split |
| 72 | 871 07 05-12 | Screw Hex Hd Cap 5/16-18 x 3/4 |
| 78 | 817 06 06-20 | Screw 3/8-16 x 1-1/4 |
| 81 | 873 51 04-00 | Nut 1/4-20 |

NOTE: All component dimensions given in U.S. inches
1 inch = 25.4 mm

REPAIR PARTS

TRACTOR - MODEL NO. MC14596 (96011008500), PRODUCT NO. 960110085
MOWER LIFT



lift-rh.1piece_3

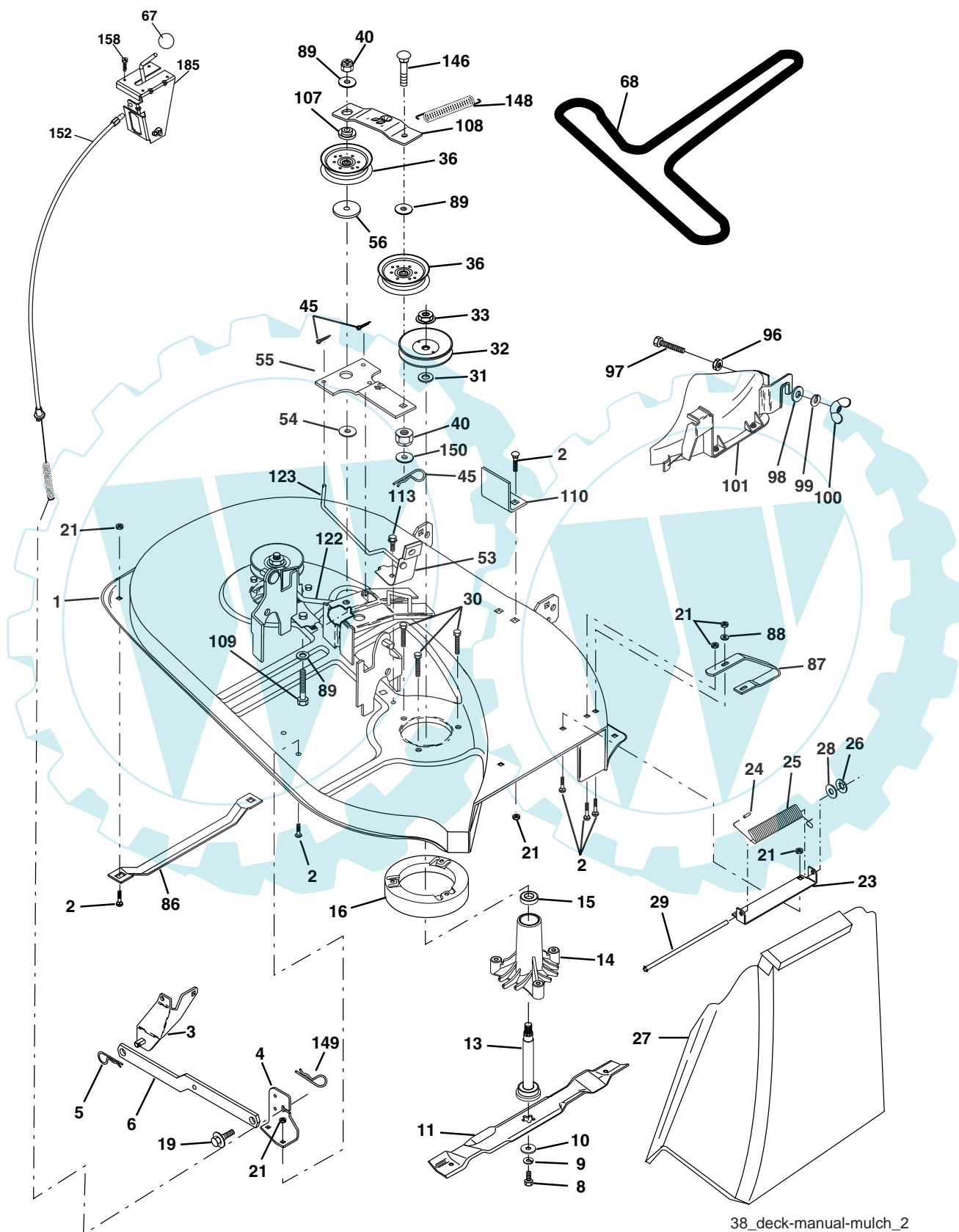
| KEY NO. | PART NO. | DESCRIPTION |
|---------|---------------------|---------------------------------|
| 1 | 532 15 94-61 | Wire Asm Inner/Spring W/plunger |
| 2 | 532 15 94-76 | Shaft Asm Lift |
| 3 | 532 18 88-22 | Pin Groove |
| 4 | 812 00 00-02 | E Ring #5133-62 |
| 5 | 819 21 16-21 | Washer PLTD 21/32 x 1 x 21 Ga. |
| 6 | 532 12 01-83 | Bearing Nylon Blk 629 Id |
| 7 | 532 10 94-13 | Grip Handle |
| 8 | 532 12 45-26 | Button Plunger Black |
| 11 | 532 13 98-65 | Link Lift LH |
| 12 | 532 13 98-66 | Link Lift RH |
| 13 | 532 12 46-70 | Retainer Spring |

| KEY NO. | PART NO. | DESCRIPTION |
|---------|--------------|---------------------------|
| 15 | 532 17 32-88 | Link Front |
| 16 | 873 35 08-00 | Nut Jam Hex 1/2-13 unc |
| 17 | 532 17 56-89 | Trunnion |
| 18 | 873 80 08-00 | Nut Lock W/wsh 1/2-13 unc |
| 19 | 532 13 98-68 | Arm Suspension Rear |
| 20 | 532 16 35-52 | Spring, Retainer |
| 31 | 532 16 98-65 | Bearing Pvt. Lift |
| 32 | 873 54 06-00 | Nut Crownlock 3/8-24 |

NOTE: All component dimensions given in U.S. inches
1 inch = 25.4 mm

REPAIR PARTS

TRACTOR - MODEL NO. MC14596 (96011008500), PRODUCT NO. 960110085
MOWER DECK



38_deck-manual-mulch_2

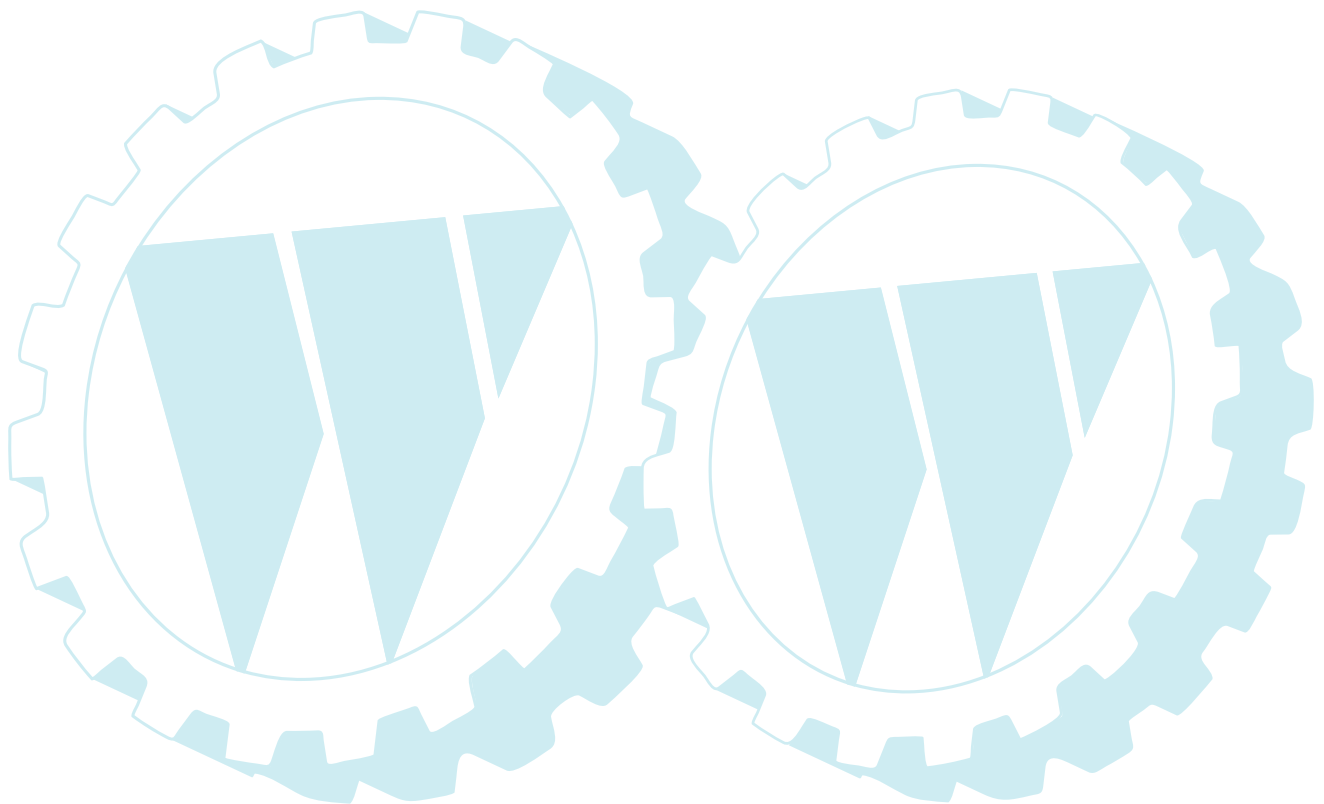
REPAIR PARTS

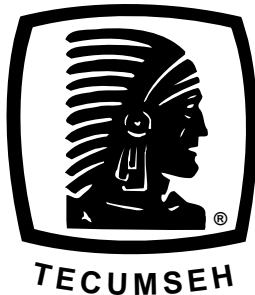
TRACTOR - MODEL NO. MC14596 (96011008500), PRODUCT NO. 960110085
MOWER DECK

| KEY NO. | PART NO. | DESCRIPTION | KEY NO. | PART NO. | DESCRIPTION |
|---------|--------------|---------------------------------|---------|--------------|---|
| 1 | 532 17 02-80 | Mower Deck Assembly | 67 | 532 10 69-32 | Knob RD 3/8-16 Plstc Thd |
| 2 | 872 14 05-06 | Bolt | 68 | 532 18 02-14 | Belt |
| 3 | 532 13 80-17 | Bracket Assembly,Sway Bar | 86 | 532 12 50-74 | Runner, LH |
| 4 | 532 16 99-70 | Bracket Sway Bar Deck | 87 | 532 12 87-72 | Runner, RH |
| 5 | 532 12 46-70 | Retainer Spring | 88 | 819 11 12-16 | Washer 11/32 x 3/4 x 16 Ga. |
| 6 | 532 17 80-24 | Bar Sway | 89 | 819 13 13-11 | Washer 13/32 x 13/16 x 11 Ga. |
| 8 | 532 85 08-57 | Bolt, Hex 3/8-24 x 1.25 Gr. 8 | 96 | 873 93 06-00 | Nut Centerlock 3/8-16 |
| 9 | 810 03 06-00 | Washer, Lock Hvy Hlcl 3/8 | 97 | 874 93 06-20 | Bolt 3/8-16 x 1-1/4 |
| 10 | 532 14 02-96 | Washer, Hardened | 98 | 810 04 06-00 | Washer Lock 3/8 |
| 11 | 532 13 41-48 | Blade, Mower 38 | 99 | 819 13 20-16 | Washer 13/32 x 1-1/4 x 16 Ga. |
| 13 | 532 13 76-45 | Shaft Assembly, Mandrel, Vented | 100 | 532 13 56-51 | Nut Wing |
| 14 | 532 12 87-74 | Housing, Mandrel, Vented | 101 | 532 13 28-03 | Cover Mulch 38" |
| 15 | 532 11 04-85 | Bearing, Ball, Mandrel | 107 | 532 13 35-02 | Spacer, Retainer |
| 16 | 532 17 44-93 | Stripper, Vented Mower Deck | 108 | 532 13 35-03 | Stiffener, Idler Arm |
| 19 | 532 13 28-27 | Bolt, Shoulder | 109 | 874 76 06-40 | Bolt, Hex Head 3/8-16 x 2-1/2 |
| 21 | 873 68 05-00 | Nut Crownlock 5/16-18 | 110 | 532 14 25-87 | Upstop Deck Front 38 |
| 23 | 532 13 76-07 | Bracket, Mower Deflector | 113 | 817 06 05-12 | Screw 5/16-18 x 3/8 |
| 24 | 532 10 53-04 | Cap, Sleeve | 122 | 532 13 12-89 | Rod, Brake, LH |
| 25 | 532 12 37-13 | Spring, Torsion, Deflector | 123 | 532 16 99-71 | Rod, Brake, RH |
| 26 | 532 11 04-52 | Nut, Push | 146 | 532 16 58-91 | Bolt Carriage Idler |
| 27 | 532 17 59-43 | Shield, Deflector | 148 | 532 16 90-22 | Spring Return Idler |
| 28 | 819 11 10-16 | Washer 11/32 x 5/8 x 16 Ga. | 149 | 532 16 58-98 | Retainer Spring Yellow Zinc |
| 29 | 532 10 67-35 | Rod, Hinge | 150 | 819 09 12-10 | Washer 9/32 x 3/4 x 10 Ga. |
| 30 | 532 17 39-84 | Screw Thdrol | 152 | 532 17 27-58 | Cable Clutch 38 In |
| 31 | 532 18 76-90 | Washer, Spacer | 158 | 817 72 04-08 | Screw Hex Thd Cut 1/4-20 x 1/2 |
| 32 | 532 15 35-32 | Pulley, Mandrel | 185 | 532 18 82-34 | Head Asm Cable Clutch |
| 33 | 532 17 83-42 | Nut, Toplock, Flanged | -- | 532 13 07-94 | Mandrel Assembly (Includes Housing, Shaft, and Shaft Hardware Only - Pulley Not Included) |
| 36 | 532 13 14-94 | Pulley, Idler, Flat | -- | 532 18 12-09 | Mower Deck, Complete (Order separately mulcher cover 96-101) |
| 40 | 873 68 06-00 | Nut Crownlock 3/8-16 | | | |
| 45 | 532 12 47-88 | Retainer, Spring | | | |
| 53 | 532 13 08-40 | Brake Assembly | | | |
| 54 | 532 17 85-15 | Washer, Hardened | | | |
| 55 | 532 13 38-40 | Idler Arm Assembly | | | |
| 56 | 532 16 57-23 | Spacer, Retainer | | | |

NOTE: All component dimensions given in U.S. inches
 1 inch = 25.4 mm

SERVICE NOTES





SERVICE POLICY WARRANTY



Issued January 1980
Revised January 1991

LIMITED WARRANTIES FOR NEW PEERLESS GEAR POWER TRAIN COMPONENTS

A. Products Warranted

Peerless Gear and Machine Division of Tecumseh Products Company ("Tecumseh"), subject to the limitations contained below, will, at its option, repair or replace, without charge for parts or labor only, any part of a new Power Train Component (which as used herein means and includes the transaxle, gear box, transmission, differential and right angle drives, and any part of the Power Train Component), EXCEPT any new Power Train Component incorporated in equipment used for commercial or rental purposes, which is found upon examination by any Tecumseh Authorized Service Outlet or by Tecumseh's factory in Grafton, Wisconsin, to be DEFECTIVE IN MATERIAL AND/OR WORKMANSHIP if received by Tecumseh or a Tecumseh Authorized Service Outlet for such examination within TWO YEARS from the date of sale to the original consumer purchaser of Peerless Series 820, 900, 910, 915, 920, 930 transaxles and Series 1100 angle drive and ONE YEAR for all other Peerless products. New Power Train Components incorporated in equipment used for commercial purposes are warranted in the same manner and to the same extent EXCEPT such Power Train Components are warranted for NINETY (90) DAYS ONLY, and must be received by Tecumseh or by a Tecumseh Authorized Service Outlet for such examination within 90 days from the date of sale to the original purchaser. New Power Train Components incorporated in equipment used for rental purposes are warranted in the same manner and to the same extent EXCEPT such Power Train Components are warranted for THIRTY (30) DAYS ONLY, and must be received by Tecumseh or a Tecumseh Authorized Service Outlet within 30 days from the date of sale to the original purchaser.

B. Products And Items Not Warranted

1. Alterations or Modifications of Power Train Components.
2. Accidents, Normal Maintenance, Failure to follow the Original Equipment Manufacturer's Manual.

This warranty covers only parts of new Power Train Components which are found upon examination to be defective in material or workmanship as delivered to the original purchaser. This warranty does not cover defects caused by depreciation or damage caused by normal wear, accidents, improper maintenance, improper use or abuse of the product, failure to follow the instructions contained in an Instruction Manual for the operation of the Power Train Component and parts. The cost of normal maintenance and replacement of service items which are not defective shall be paid for by the original purchaser.

C. Securing Warranty Service

Warranty service can be arranged for by contacting either a Tecumseh Authorized Service Outlet (any Tecumseh Registered Service Dealer, Tecumseh Authorized Service Distributor, or Tecumseh Central Warehouse Distributor) or by contacting Tecumseh, c/o Service Manager, Engine and Transmission Group Service Division, 900 North Street, Grafton, Wisconsin 53024. Warranty service can only be performed by a Tecumseh Authorized Service Outlet or by Tecumseh at its factory in Grafton, Wisconsin. At the time of requesting warranty service, evidence must be presented of the date of sale to the original purchaser. The purchaser shall pay any charges for making service calls and/or for transporting the product to and from the place where the inspection and/or warranty work is performed. The purchaser shall be responsible for any damage or loss incurred in connection with the transportation of Power Train Components and/or part(s) of the Power Train Components submitted for inspection and/or warranty work.

D. Limitation of Damages and Implied Warranties

The foregoing EXPRESSED WARRANTY IS IN LIEU OF ALL OTHER EXPRESS WARRANTIES. Neither Tecumseh nor any of its affiliates makes any warranties, representations or promises, written or oral, as to the quality of the Power Train Component or any of its parts, other than as set forth herein.

ANY IMPLIED WARRANTY OF MERCHANTABILITY OR FITNESS FOR A PARTICULAR PURPOSE, TO THE EXTENT THAT EITHER MAY APPLY TO ANY PART(S) OF POWER TRAIN COMPONENTS, SHALL BE LIMITED IN DURATION TO THE PERIODS OF THE EXPRESSED WARRANTIES DEFINED IN PARAGRAPH A HEREOF. IN NO EVENT WILL TECUMSEH BE LIABLE FOR ANY INCIDENTAL, CONSEQUENTIAL OR SPECIAL DAMAGES AND/OR EXPENSES. Some states do not allow limitations on how long an implied warranty lasts or the exclusion or limitation of incidental or consequential damages, so the above limitation(s) or exclusion(s) may not apply to you. This warranty gives you specific legal rights and you may also have other legal rights which vary from state to state.

E. No Dealer Warranty

Tecumseh neither assumes nor authorizes any other person, natural or corporate, to assume for Tecumseh any other obligations or liabilities in connection with or with respect to any part(s) of a Power Train Component. The seller or dealer of part(s) of a Power Train Component has no authority, whatsoever, to make any representations or promises on behalf of Tecumseh or to modify the terms or limitations of Tecumseh's warranty in any way.

LIMITED WARRANTY

The Manufacturer warrants to the original consumer purchaser that this product as manufactured is free from defects in materials and workmanship. For a period of one (1) year from date of purchase by the original consumer purchaser, we will repair or replace, at our option, without charge for parts or labor incurred in replacing parts, any part which we find to be defective due to materials or workmanship. This Warranty is subject to the following limitations and exclusions.

1. This warranty does not apply to the engine. Please contact your nearest dealer where they will send the machine to the engine manufacturer.
2. Transportation charges for the movement of any power equipment unit or attachment are the responsibility of the purchaser. Transportation charges for any parts submitted for replacement under this warranty must be paid by the purchaser unless such return is requested by your dealer.
3. Battery Warranty: On products equipped with a Battery, we will replace, without charge to you, any battery which we find to be defective in manufacture, during the first ninety (90) days of ownership. After ninety (90) days, we will exchange the Battery, charging you 1/12 of the price of a new Battery for each full month from the date of the original sale. Battery must be maintained in accordance with the instructions furnished.
4. The Warranty period for any products used for rental or commercial purposes is limited to 90 days from the date of original purchase.
5. This Warranty applies only to products which have been properly assembled, adjusted, operated, and maintained in accordance with the instructions furnished. This Warranty does not apply to any product which has been subjected to alteration, misuse, abuse, improper assembly or installation, delivery damage, or to normal wear of the product.
6. Exclusions: Excluded from this Warranty are belts, blades, blade adapters, normal wear, normal adjustments, standard hardware and normal maintenance.
7. In case of any problem within the boundaries of this warranty, contact the nearest department store, indicate the model number, serial number and the date of purchase of your machine. This warranty does not apply to accidental damages. All implicit warranties are limited to the same time frames. Or contact:

E.M. Services
54 Rue Lambrechts
92400 Courbevoie
France
Telephone: (1) 46678078
Fax: (1) 46678095

THIS WARRANTY DOES NOT APPLY TO INCIDENTAL OR CONSEQUENTIAL DAMAGES. ANY IMPLIED WARRANTIES ARE LIMITED TO THE SAME TIME PERIODS STATED HEREIN.

McCULLOCH^{PM}

www.electrolux.com/mcculloch

Ihr Ersatzteilspezialist im Internet